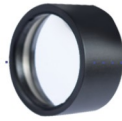
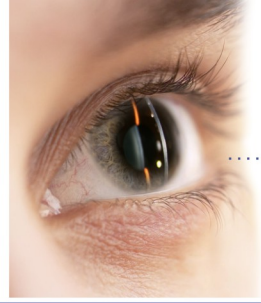


S150

Portable Slit Lamp

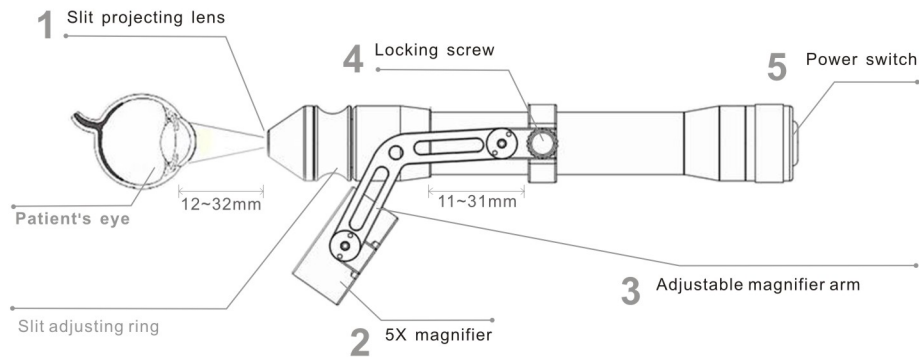


- **Ultra-portable:** The ultra-portable Model S150 is an excellent diagnostic instrument for examination of anterior segment structures and ocular abnormalities. Its easy-to-operate optical system produces a high-brightness, continuously adjustable slit image ideal for pediatric and geriatric setting, emergency department screenings, ward rounds, bedside examination, post-op evaluations and mission work.
- **LED illumination:** S150 is the first and the only Portable Slit Lamp in the world applying LED illumination system. The most prominent advantage of our LED illumination system gives examiner the clearest image without glare.
- **Comfortable using experience:** The low heat radiation from our LED lamp makes the most comfortable examine experience for the patient.
- **Sharpest Slit:** With the blade imaging system S150 gives equally sharpest slit as the best classic slit lamp in the world.
- **No need to replace illumination lamp:** The LED lamp used in S150 Portable Slit Lamp is rated 20,000 hours at full power. Its life time is almost 10 times longer than normal Halogen lamp.
- **Power- saving:** S150 can work for long hours without changing batteries.



S150 Portable Slit Lamp is an electric instrument for examination of anterior segment structures of an eye ball. When using this instrument, please follow the instructions of the well-trained and experienced doctor.

S150 Portable Slit Lamp consists of the lamp body and the magnifier, shown as blow:



Specifications

Magnification	5X
Slit length	5mm~11mm
Slit width(min)	0.2mm
Working distance	12~32mm
Power supply	Two AA batteries
Light source	3.3V/1W Led lamp
Battery life	More than 3hours (two AA alkaline butteries)
Net weight	150g (without batteries)



Distributed by



*Subject to change in design or specifications without advance notice